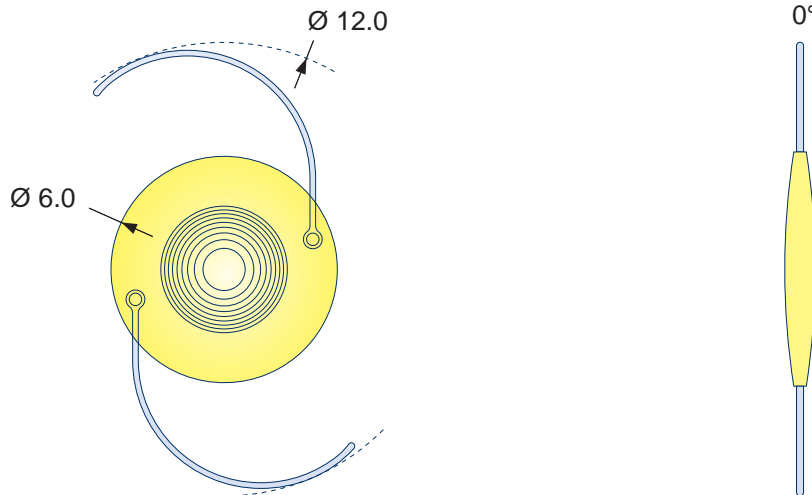


MS 612 DAY



on a scale of 5:1

Technical Information

<b>Type</b>	Multifocal Posterior Chamber IOL with Blue Light Protection (Three-Piece, Foldable, 360° Sharp Optic Edge)
<b>Optic Material</b>	Silicone Elastomer with UV-Absorber and Yellow Colouring Agent
<b>Haptic Material</b>	High Molecular PMMA
<b>Haptic Shape</b>	Modified C-Loop
<b>Optic Shape</b>	Diffractive Aspheric Anterior Surface, Spheric Posterior Surface (Aberration Correcting)
	Biconvex
<b>Diopter Range</b>	10.0 to 30.0 D
<b>Diopter Steps</b>	0.5 D
<b>Near Addition</b>	+ 3.5 D (on IOL plane)
	Additional Lens Powers Available on Request
<b>A-Constant (est.)*</b>	118.6

Dr. Schmidt Intraocularlinsen GmbH, Germany

Westerwaldstr. 11-13  
53757 Sankt Augustin

Phone: +49 (0) 2241 / 25 787-0  
Fax: +49 (0) 2241 / 25 787-88

mail@dr-schmidt-iol.de  
www.dr-schmidt-iol.de